



## **Build and Debug Environment Setup – IAR**

---

This document illustrates how to build Realtek low power Wi-Fi software under IAR SDK environment.

## Table of Contents

1.	Introduction .....	3
2.	How to get IAR .....	3
3.	Debugger Setting.....	3
3.2	CMSIS-DAP .....	3
3.2	Jlink/Jtag.....	4
4.	How to build and download code .....	7
5.	How to use sample code .....	12

# 1. Introduction

This document illustrates how to build Realtek low power Wi-Fi software under IAR SDK environment.

# 2. How to get IAR

IAR provides an IDE environment for code building, downloading, and debugging. Please check "IAR Embedded Workbench" on <http://www.iar.com/>, and trial version is available. It requires IAR version *greater than v7.20* which supports CMSIS-DAP.

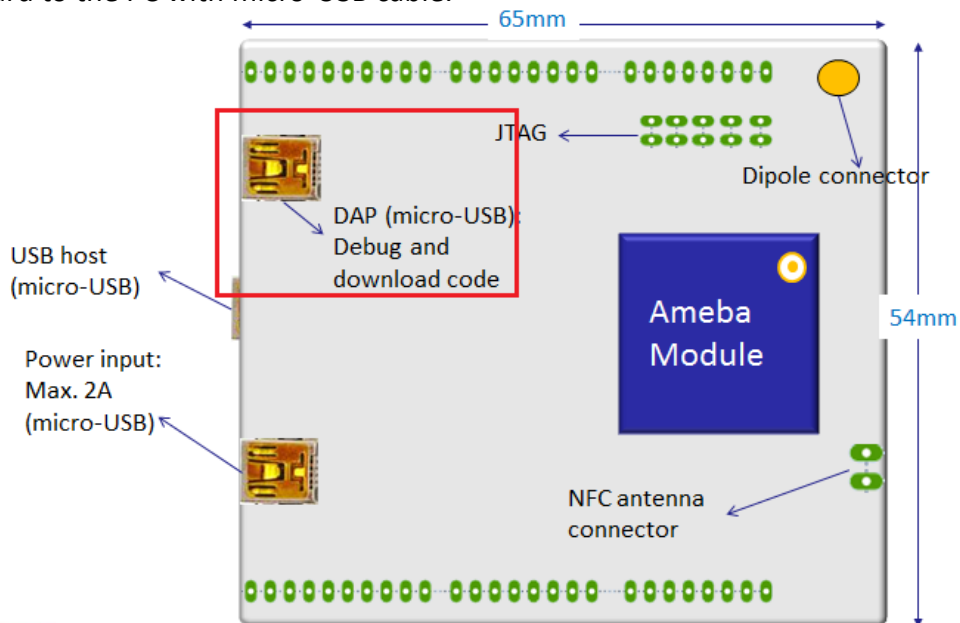
# 3. Debugger Setting

This board supports both CMSIS-DAP debugger and J-Link.

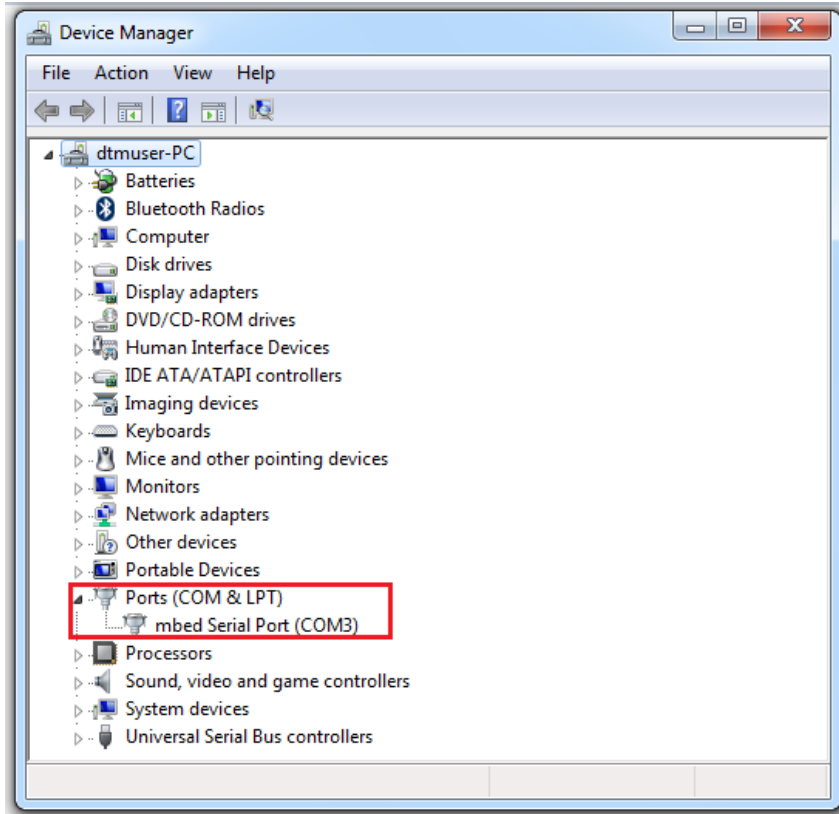
## 3.2 CMSIS-DAP

Ameba Device Board 2V0 supports CMSIS-DAP debugger. It requires installing "serial to USB driver" at first. Serial to USB driver can be found in tools\serial\_to\_usb\mbedWinSerial\_16466.

Connect board to the PC with micro-USB cable.



After installation, connect the board to PC, and then there should be mbed Serial Port shown in Device Manager.

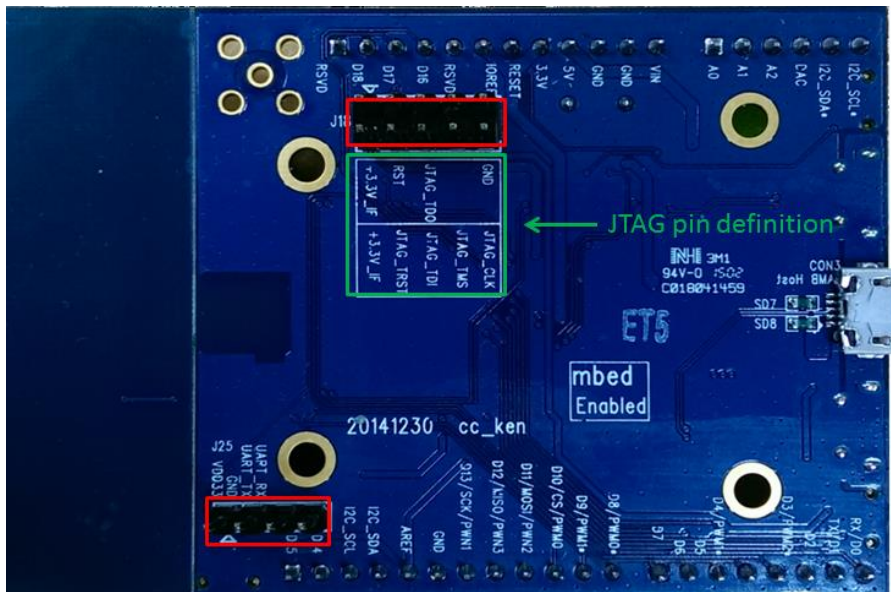


### 3.2 J-Link/JTAG

The board is configured as CMSIS-DAP mode. To use J-Link debugger, please follow the next procedures.

Hardware Configuration

Weld JTAG and log UART connectors to HDK board and connect with pitch 2.54mm 2x5pins connector. It is recommended to weld the connector on the bottom side.



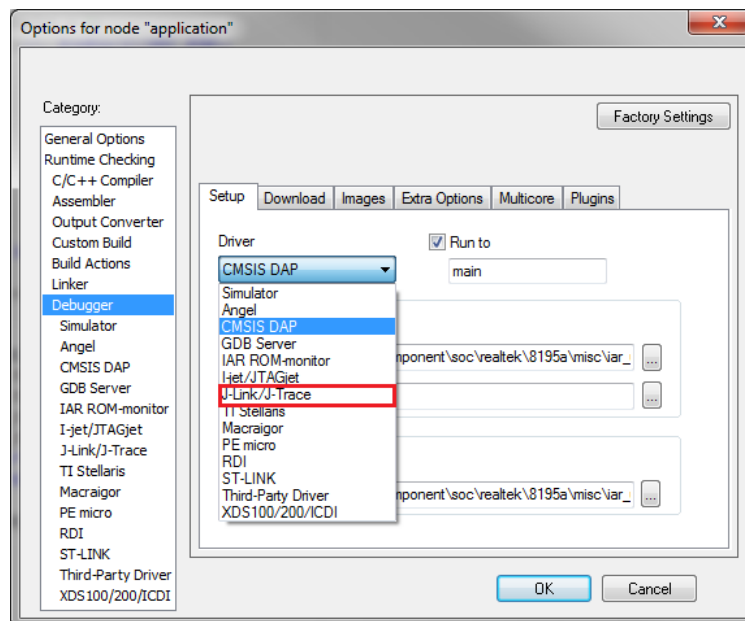
p.s. J-Link is supported on RTL-AMEBA\_DEV\_3V0



2.54mm 2x5pins connector (or use Dupont Line)

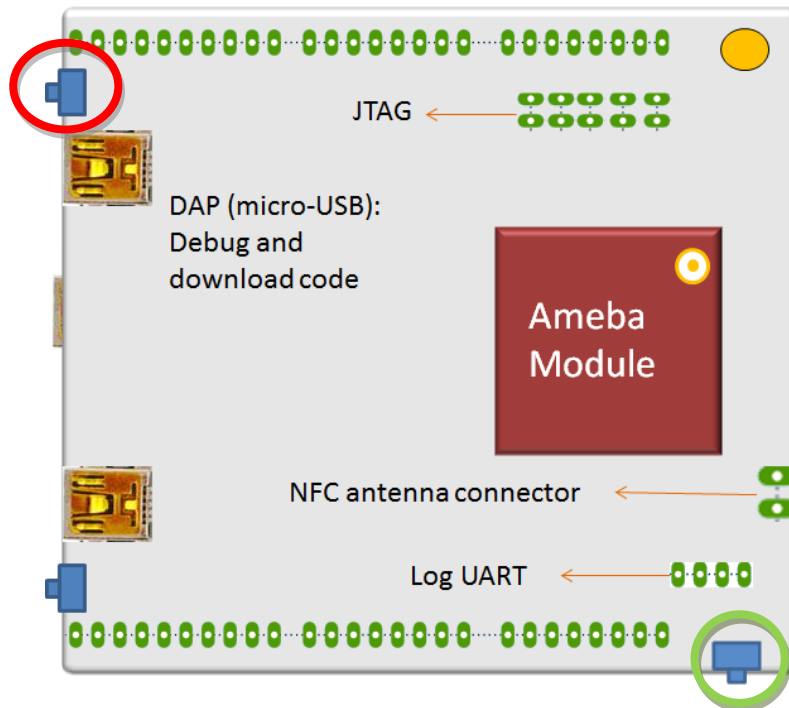
### IAR Setting

Change setting of IAR project from CMSIS-DAP to J-Link/J-Trace in Project→Options→Debugger→Setup→Driver, and Selecting OK to finish and enjoy JTAG debugging.



Power On

Holding button (red-circled) then plugging power to disable CMSIS-DAP function. Release the button after power on.

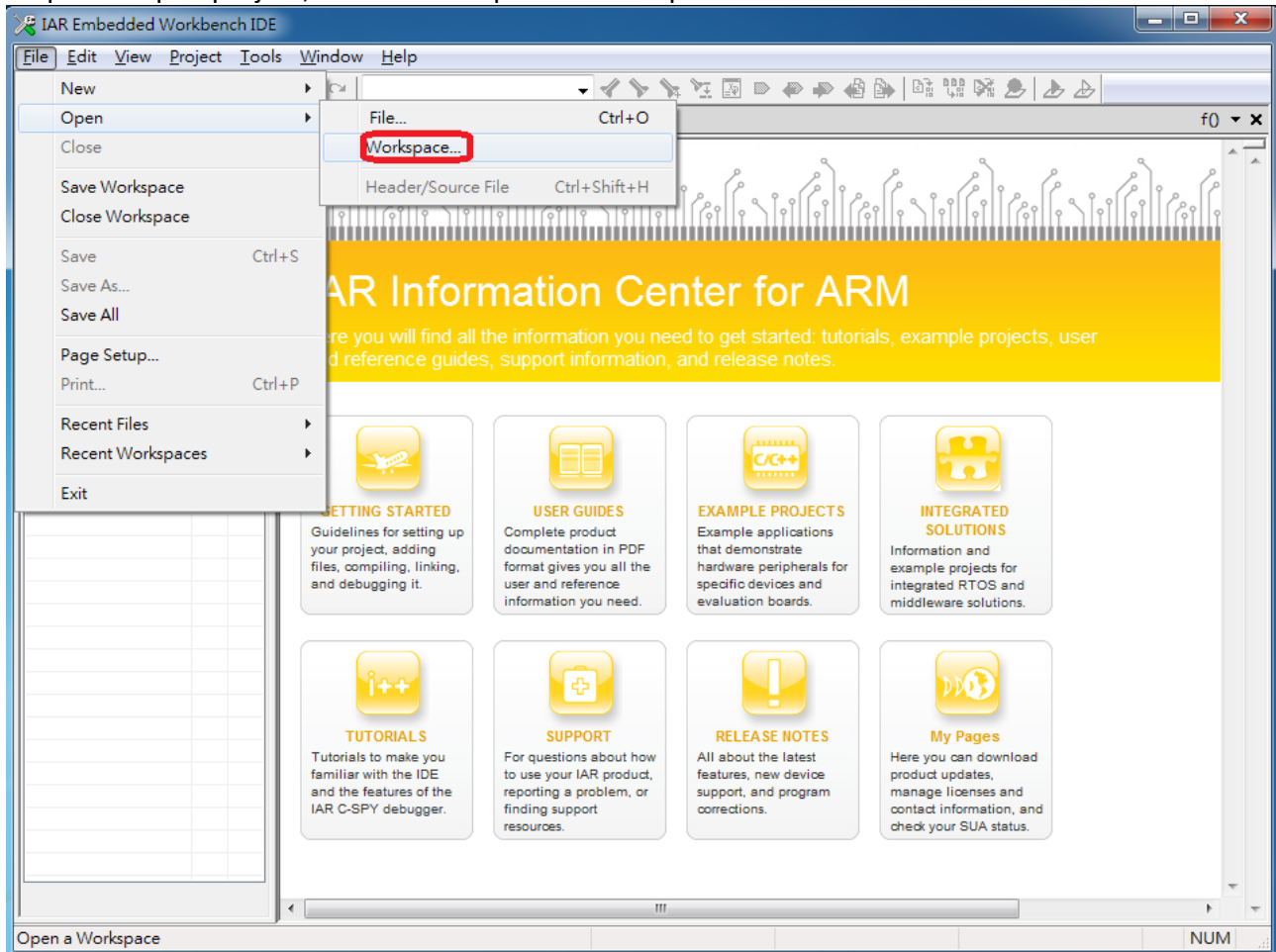


Note: To reset main chip, it is recommended to press Reset button (green-circled) instead of re-plugged in the power cable.

## 4. How to build and download code

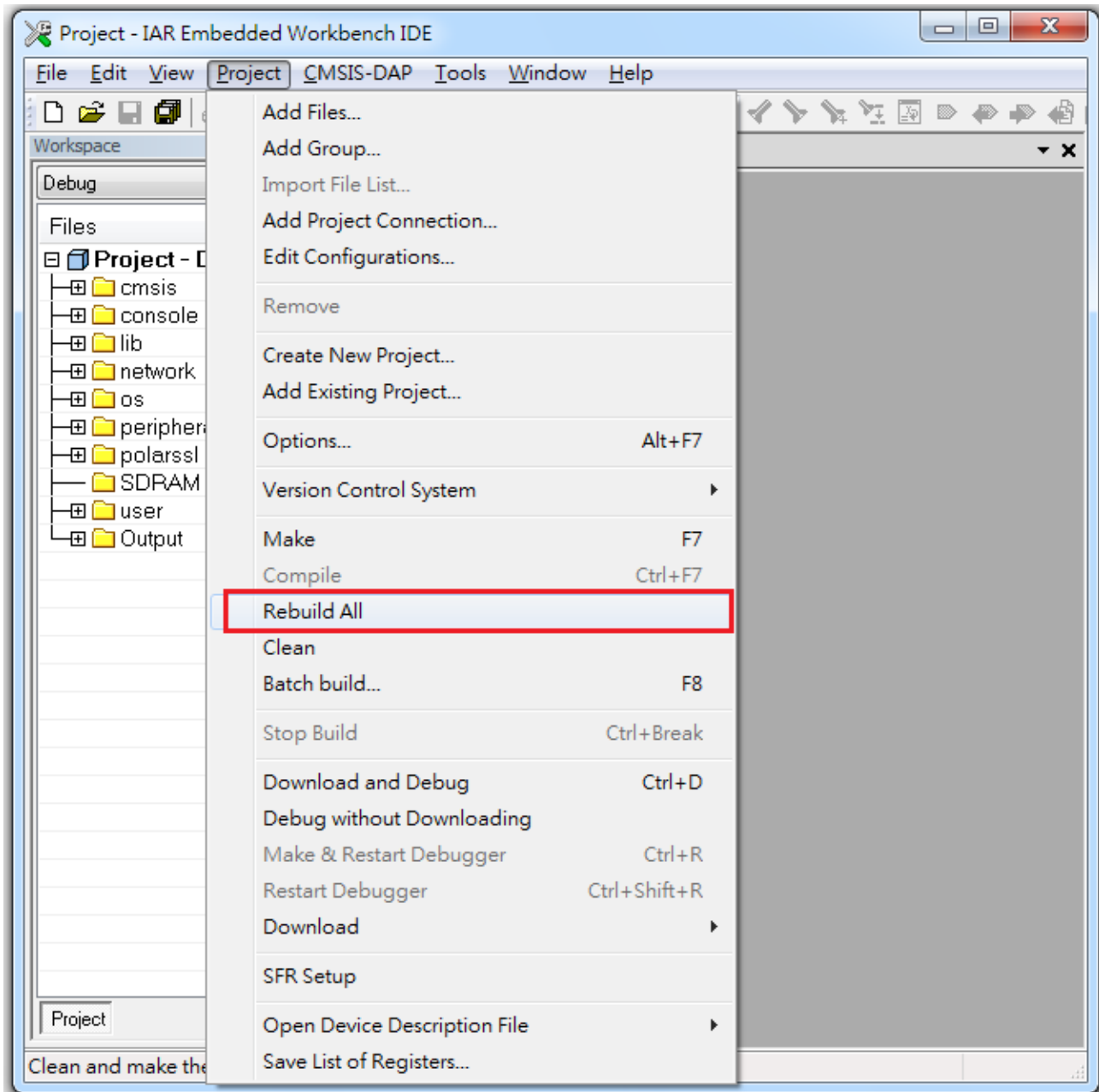
Step 1: Open IAR Workbench

Step 2: To open project, click File → Open → Workspace



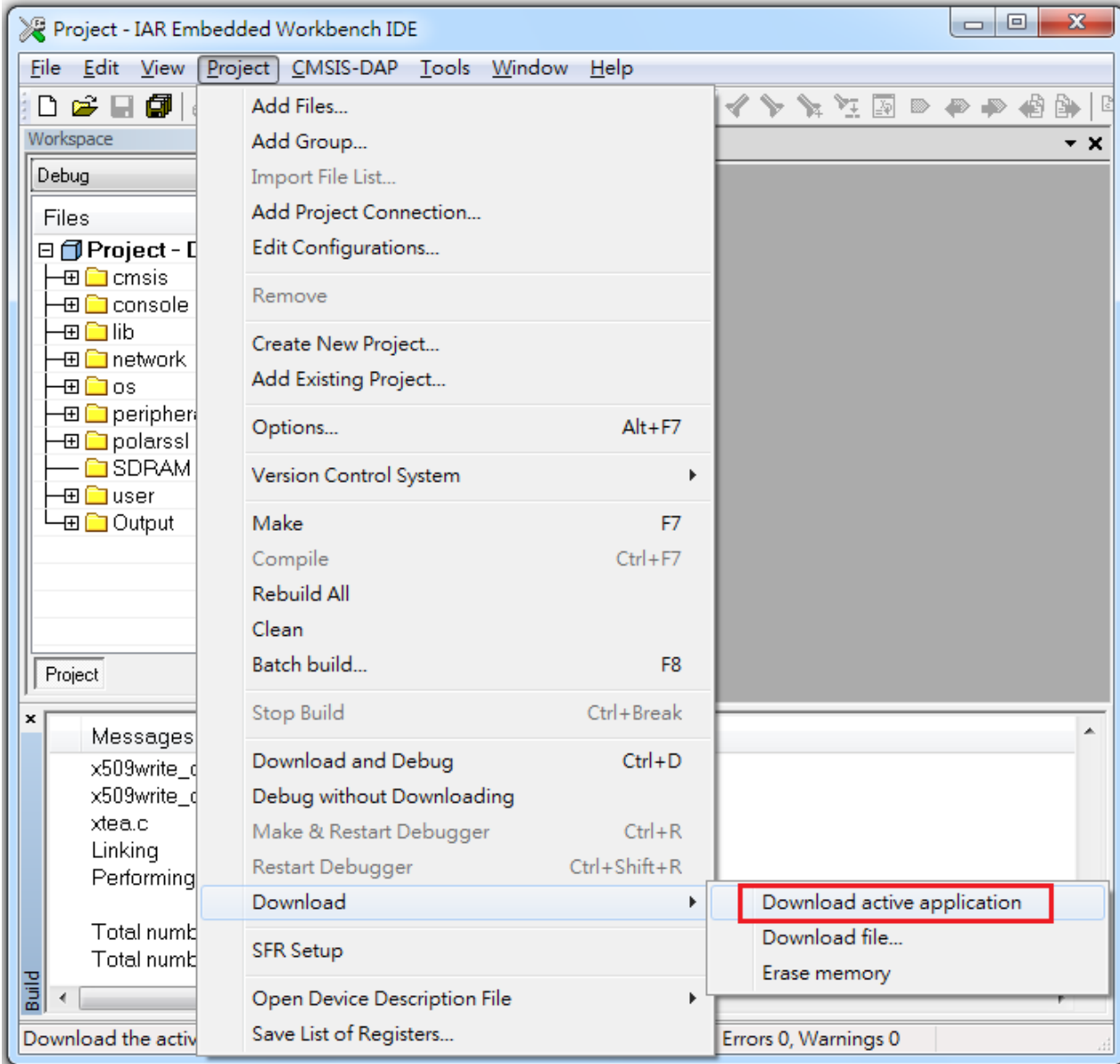
Step 3: Select Project.eww in project\project\_name\_xxxx\EWARM-RELEASE

Step 4: To build project, click Project → Rebuild All

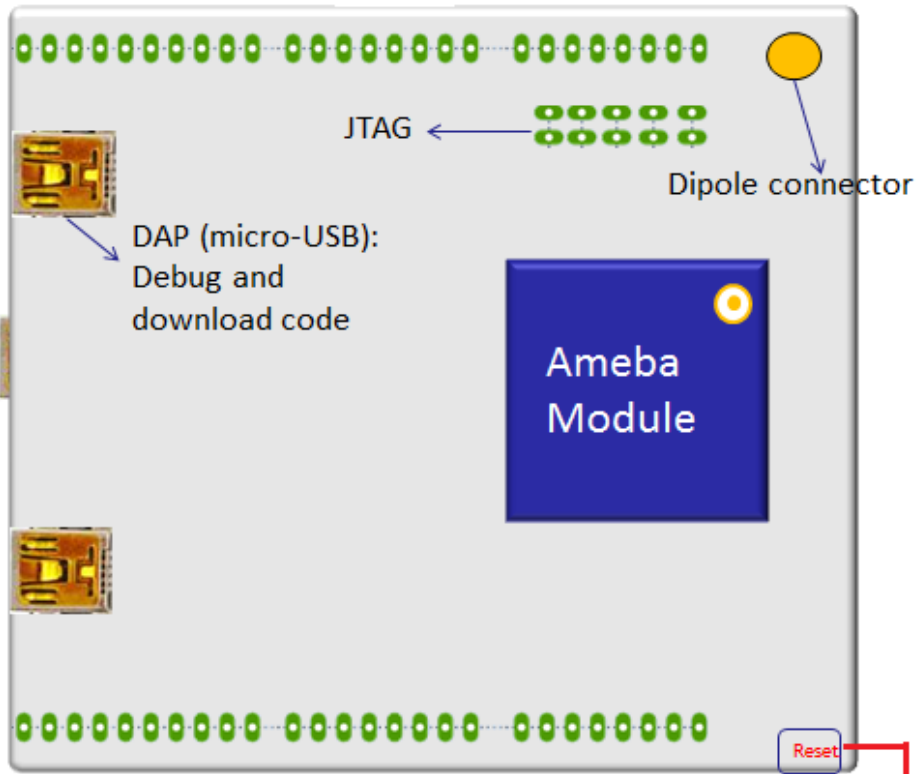




Step 5: To download code, Click Project → Download → Download active application.



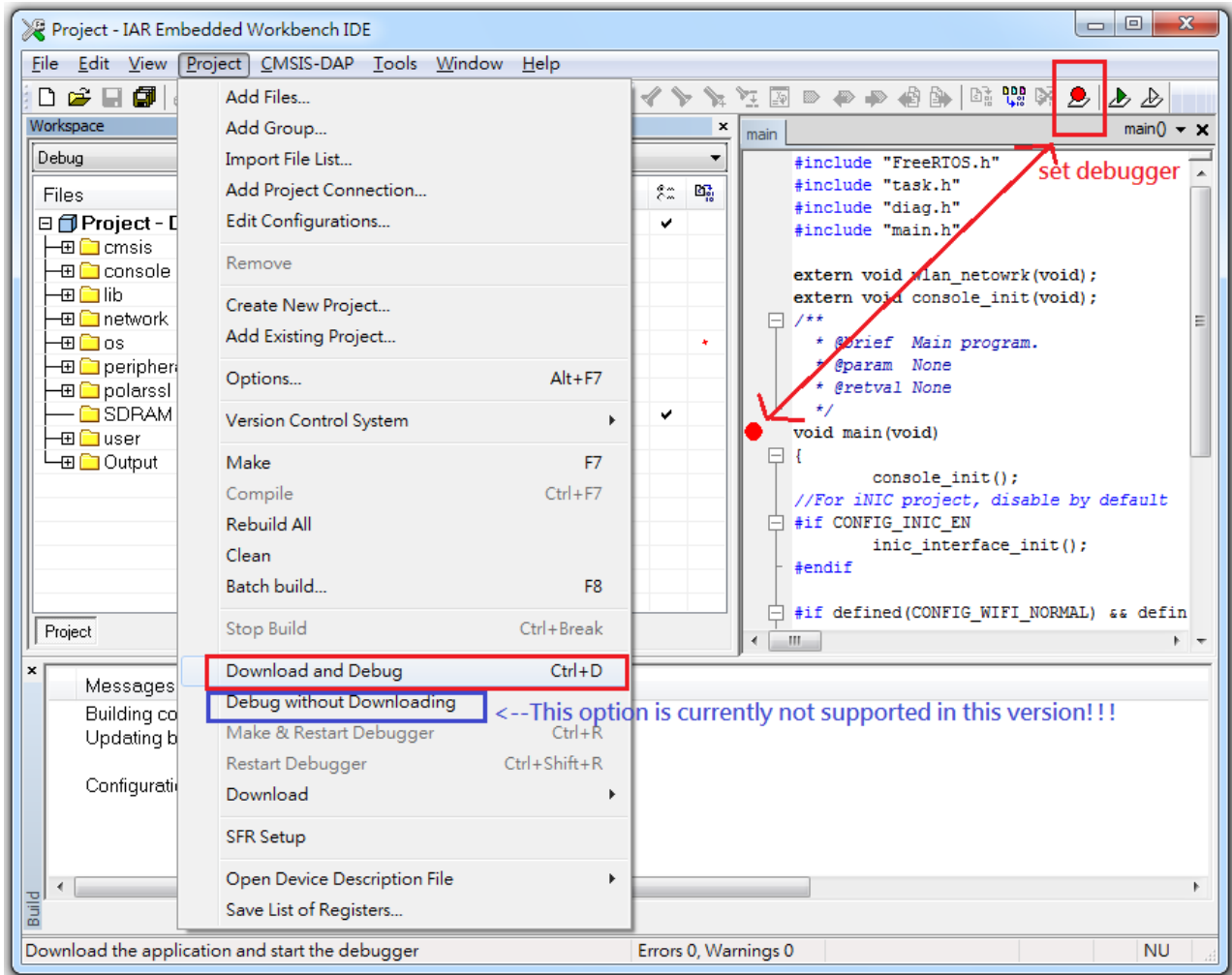
After firmware download, click reset button to reboot the system



After downloading firmware, click reset button to reboot the system

## How to debug

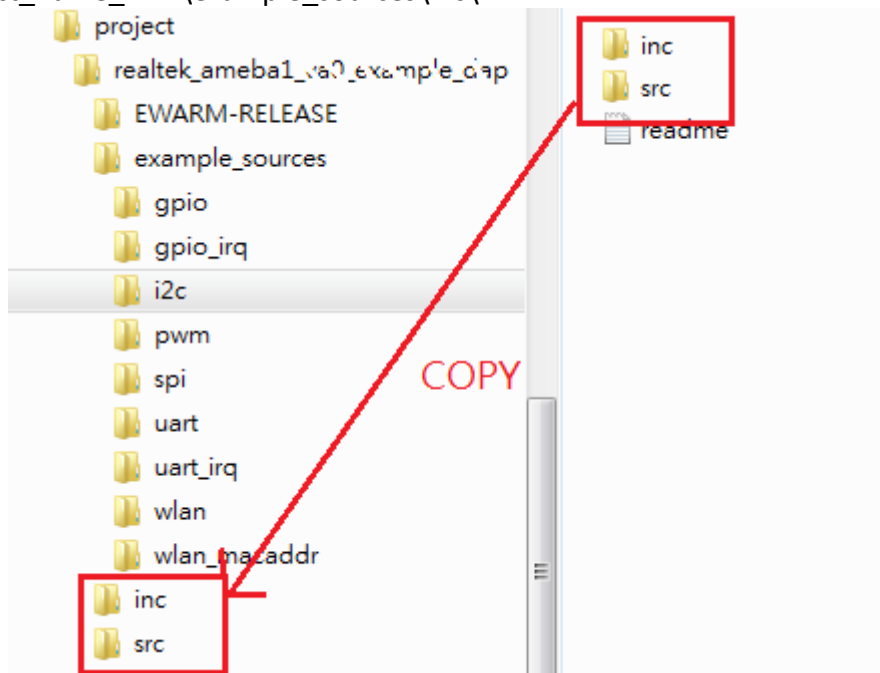
Set Break point. To debug or trace code step by step, click Project → Download and Debug.



## 5. How to use sample code

There are several peripheral example code under folder “project\project\_name\_xxxx\example\_sources\”, you can copy & paste the example’s “inc” and “src” to project folder.

Ex. To use i2c example code, you can copy “src” and “inc” from “project\project\_name\_xxxx\example\_sources\i2c\”.



Ameba API follows mbed API. User can check mbed website for peripheral API.